

Part number: TYW12000P24V

Rated line pull: 12000 lbs, (5450 kg) single-line

Motor: 24V DC 3.6HP series wound motor

Remote Control: Remote Switch, 12' (3.7m) lead.

Wireless Remote Control: optional

Gear train: 3-Stage Planetary.

Gear Ratio: 216:1

Clutch (freespooling): Rotating Ring Gear

Brake: Full load automatic brake installed in the motor base

Drum Diameter/Length: 2.5"/8.8" (64mm/224mm)

Wire Rope: 9.5mmx24m

Fairlead: Roller

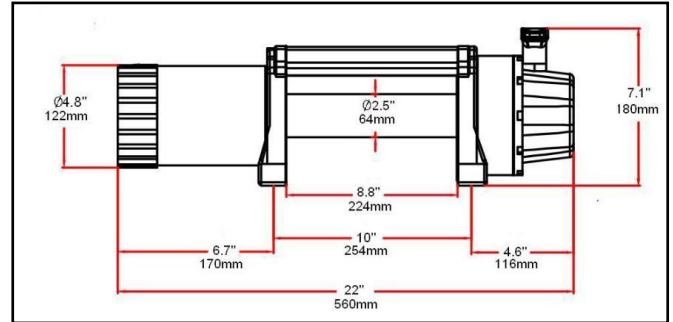
Recommended Battery: 650 CCA minimum for winching

Mounting Bolt Pattern: 10" x 4.5" (224mm x 114.3)

Winch Dimensions (L x W x H): 22" x 6.3" x 7.1" (560 x 160 x 180mm)

Packing Dimensions (L x W x H): 24.2x 14.5' x 9.8' (615 x 370 x 250mm)

Weight: 38kg (84lbs)



PERFORMANCE SPECIFICS
(First layer of drum)

LINE PULL Lb (Kg)	LINE SPEED FT/min (M/min)	MOTOR CURRENT	PULL BY LAYER Layers/LB (KG)
0	28,5 (8,7)	40 amp	1/12000 (5450)
2000 (910)	11,5 (3,5)	75 amp	2/9800 (4450)
4000 (1810)	9,2 (2,8)	130 amp	3/8300 (3770)
6000 (2720)	7,9 (2,4)	160 amp	4/7200 (3270)
8000 (3630)	6,9 (2,1)	190 amp	
10000 (4540)	5,6 (1,7)	220 amp	